

# Airtek® JC Series

## Compressed Air Filters



Parker Airtek's JC Series Compressed Air Filters are designed for a wide variety of industrial and oil field applications where more stringent standards apply. They are a perfect complement to Parker Airtek's expanding line of filtration products. The JC Series filters are the standard offering for all Parker Airtek OFC Series dryers as well as applications for special gas service.

The JC Series filter housing is constructed of versatile and durable die cast aluminum heads and drawn bowls with an in-line threaded bowl to head design for easy use. Available in coalescing, particulate (optional high temperature particulate) and absorbing types, the JC Series offers a solution to your filtration problems. All elements can be rated within ISO 8573-1 International Standards for compressed air cleanliness.

The JC Series comes standard with DPI indicator and manual drain, with options for color change indicators and a variety of condensate drain products.



### Contact Information:

Parker Hannifin Corporation  
**Purification, Dehydration and  
Filtration Division**  
New York, USA  
T 716 686 6400 F 877 857 3800  
Toll Free 1-888-587-9733

**Sales Offices**  
North Carolina, USA  
T 716 686 6400 F 877 857 3800  
Toll Free 1-888-587-9733

Ontario, Canada  
T 905-693 3000 F 866 958 1306  
Toll Free 1-888-342-2623

[www.airtek.com](http://www.airtek.com)

### Features & Benefits:

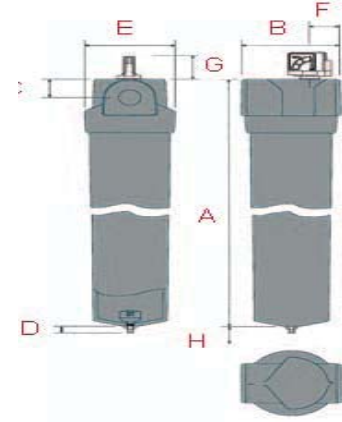
- **Durable aluminum construction with powder coated finish**
- **Simple installation and maintenance**
- **Visual assurance of performance (DPI Indicator - Standard)**
- **Low cost of operation**
- **Suitable for use with a wide variety of gases**
- **CRN approved for all Canadian provinces**



**ENGINEERING YOUR SUCCESS.**

## Technical Data

<b>Max. Operating Pressure</b>	500 psi g 34.5 bar g
<b>Standard Operating Temperature</b>	175°F 79°C
<b>Optional High Temperature</b>	450°F 232°C
<b>Coalescing</b>	Standard removes aerosols and solids down to .001 um, .008 PPM, 99.9+% DOP Rated (0.3 to 0.6 um) and <1 PSID clean
<b>Particulate</b>	Removes solids 98.5% DOP, 0.9 micron absolute and <1 PSID clean



Model	Pipe Size (ins)	Capacity scfm @ 100 psi g (Nm <sup>3</sup> /hr @ 7 bar)			Dimension - ins (mm)								Weight lbs. (kg)	Replacement Elements
		Coalescer C	Particulate F or C10	Adsorber A	A	B	C	D	E	F	G	H**		
JC0015-*	1/4	15 (24)	25 (40)	15 (26)	7.21 (183)	3.12 (79)	.53 (13)	.79 (20)	2.98 (76)	1.56 (39.5)	2.6 (66)	2.99 (76)	1.5 (.68)	JE-*C0025
JC0020-*	3/8	20 (32)	33 (53)	20 (34)	7.21 (183)	3.12 (79)	.53 (13)	.79 (20)	2.98 (76)	1.56 (39.5)	2.6 (66)	2.99 (76)	1.5 (.68)	JE-*C0025
JC0025-*	1/2	25 (40)	42 (68)	25 (43)	7.21 (183)	3.12 (79)	.53 (13)	.79 (20)	2.98 (76)	1.56 (39.5)	2.6 (66)	2.99 (76)	1.5 (.68)	JE-*C0025
JC0050-*	1/2	50 (80)	83 (133)	50 (85)	9.69 (246)	3.12 (79)	.53 (13)	.79 (20)	2.98 (76)	1.56 (39.5)	2.6 (66)	5.51 (140)	1.85 (.84)	JE-*C0050
JC0085-*	3/4	80 (129)	133 (213)	85 (136)	10.75 (273)	4.65 (118)	.98 (25)	.79 (20)	3.68 (93.5)	1.73 (44)	2.6 (66)	6.5 (165)	3.6 (1.62)	JE-*C0110
JC0110-*	1	100 (160)	166 (267)	110 (170)	10.75 (273)	4.65 (118)	.98 (25)	.79 (20)	3.68 (93.5)	1.73 (44)	2.6 (66)	6.5 (165)	3.6 (1.62)	JE-*C0110
JC0150-*	1	140 (225)	232 (373)	150 (238)	10.75 (273)	4.65 (118)	.98 (25)	.79 (20)	3.68 (93.5)	1.73 (44)	2.6 (66)	10 (254)	4.1 (1.85)	JE-*C0150
JC0250-*	1 1/4	250 (401)	415 (667)	250 (401)	10.75 (273)	6.0 (152)	1.65 (42)	.83 (21)	5.67 (144)	1.85 (47)	2.28 (58)	13.50 (343)	12.11 (5.49)	JE-*C0350 or JE-FC0600
JC0350-*	1 1/2	350 (562)	600 (947)	350 (562)	18.23 (463)	6.0 (152)	1.65 (42)	.83 (21)	5.67 (144)	1.85 (47)	2.28 (58)	13.50 (343)	11.97 (5.43)	JE-*C0350 or JE-FC0600
JC0450-*	2	450 (723)	600 (947)	450 (723)	18.23 (463)	6.0 (152)	1.65 (42)	.83 (21)	5.67 (144)	1.85 (47)	2.28 (58)	13.50 (343)	14.00 (6.35)	JE-*C0450 or JE-FC0750
JC0625-*	2	625 (1004)	1035 (1664)	625 (1004)	24.29 (617)	6.0 (152)	1.65 (42)	.83 (21)	5.67 (144)	1.85 (47)	2.28 (58)	13.50 (343)	15.99 (7.25)	JE-*C0625 or JE-FC1035
JC0800-*	2 1/2	800 (1286)	1330 (2138)	800 (1286)	29.33 (745)	8.0 (203)	2.4 (61)	.83 (21)	7.24 (184)	2.36 (60)	2.28 (58)	28.50 (724)	35.00 (15.87)	JE-*C0800 or JE-FC1330
JC1000-*	3	1000 (1608)	1660 (2669)	1000 (1608)	35.98 (914)	8.0 (203)	2.4 (61)	.83 (21)	7.24 (184)	2.36 (60)	2.28 (58)	28.50 (724)	35.00 (15.87)	JE-*C0800 or JE-FC1330

\* Filter type C, F, FH, A

\*\*Clearance required to remove the filter bowl.

Line Pressure	barg	1	2	3	4	6	7	8	11	14	17
	psig	15	30	45	60	85	100	115	150	200	250
<b>Correction Factor</b>		0.29	0.38	0.48	0.64	0.83	1.00	1.15	1.44	1.85	2.32

For maximum flow rate, multiply flow rate by the correction factor corresponding to the working pressure.

